



OVERDRIVE

Special Installation

Instructions for Lure 13.5

Each model of Feel Free Kayak is a little different so the installation of the Overdrive has some unique features only apparent in each model. This is a guide to those features concerning the Lure 13.5. Please read the original Overdrive installation instructions for all other installation procedures.

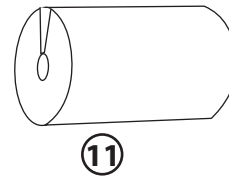
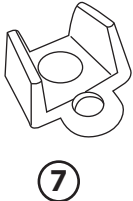
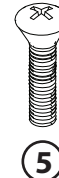
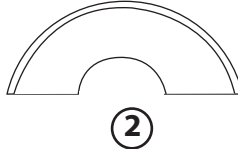
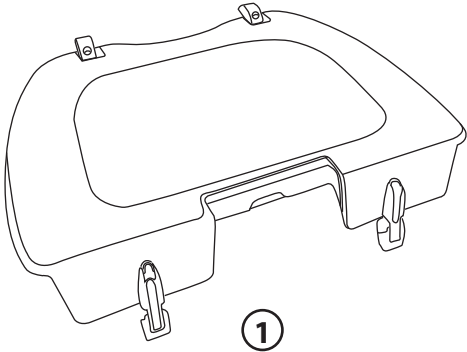


Scan the QR code above with your smartphone to watch a tutorial video on how to install the new Feelfree Overdrive.

feelfree[®]
KAYAKS

Lure 13.5 Overdrive Console Lid Part Lists

No.	Part number	Description	Qty.
1	N/A	Lure 13.5 console for OD	1
2	47045	Console Bracket MK12	2
3	50004	Screw FH-STL M4 x 25	4
4	50016	Screw JF-STL M4 x 25	2
5	50017	Screw JF-STL M4 x 30	2
6	52006	Nylock STL M4 x 0.7	4
7	47102	Over center clamp 2	2
8	50001	Screw JF-STL M4 x 10	2
9	60063	Boat bucket lock PE bush	2
10	50007	Screw FH-STL M5 x 25	4
11	48199	Battery Cable Grommet	1



1

Overdrive Installation

Hinge blocks need to be unscrewed

Remove existing console lid

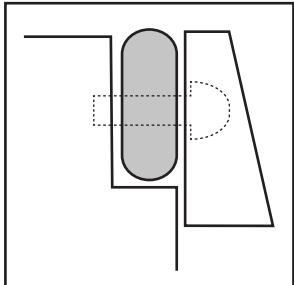
Replace Hinge blocks

1

2

Template for screw hole only

Template



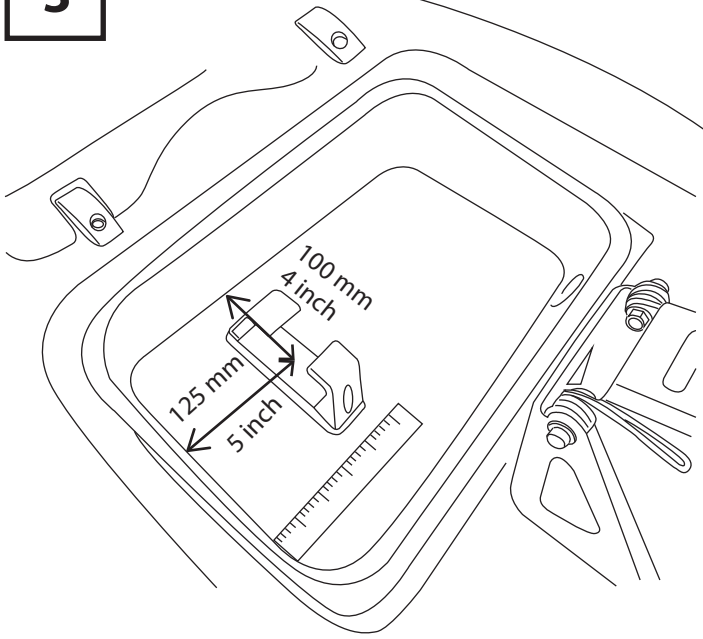
9

10

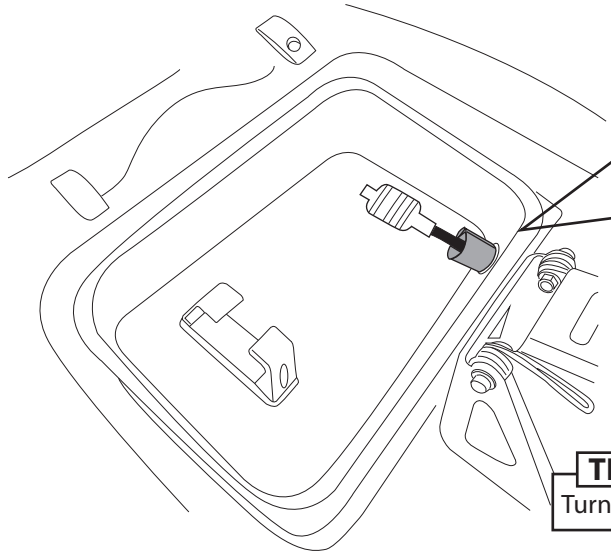
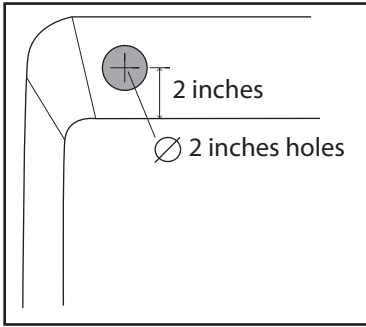
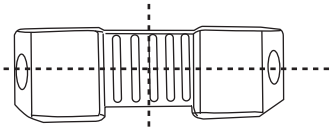
Please use Wood Screws (No 10) provided in the model 13.5 pack

3

Motor Installation



Controller Box Rubber holder

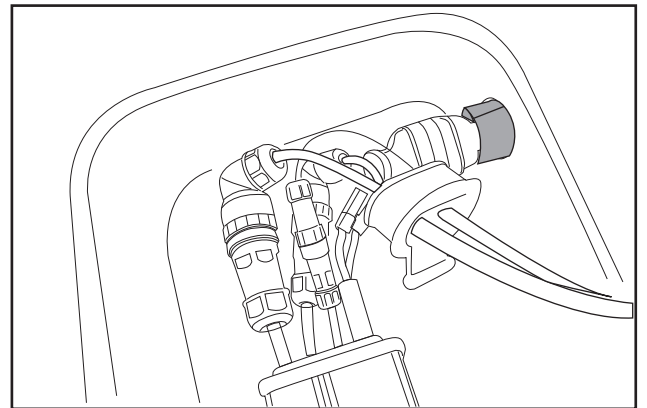
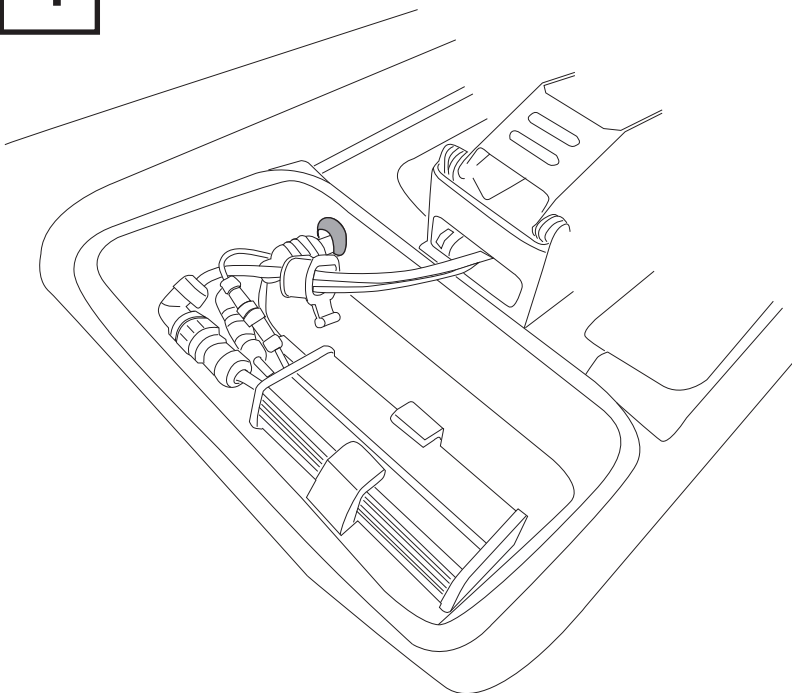


11

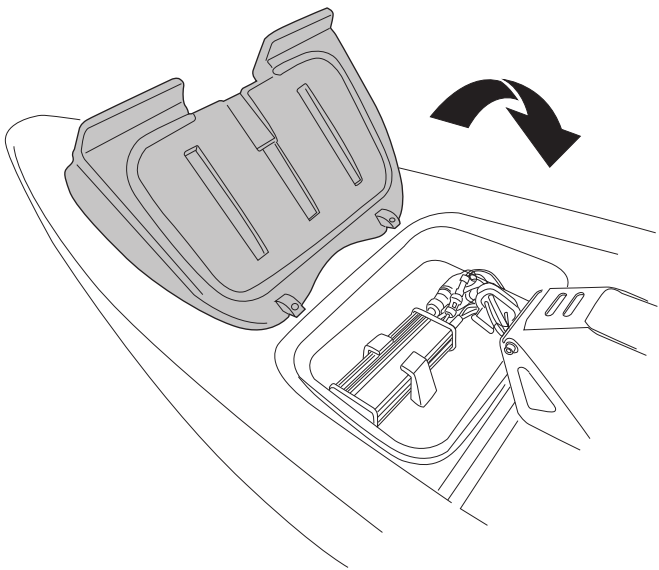
TIP.

Turn Kayak on right side to lay the battery cable.

4

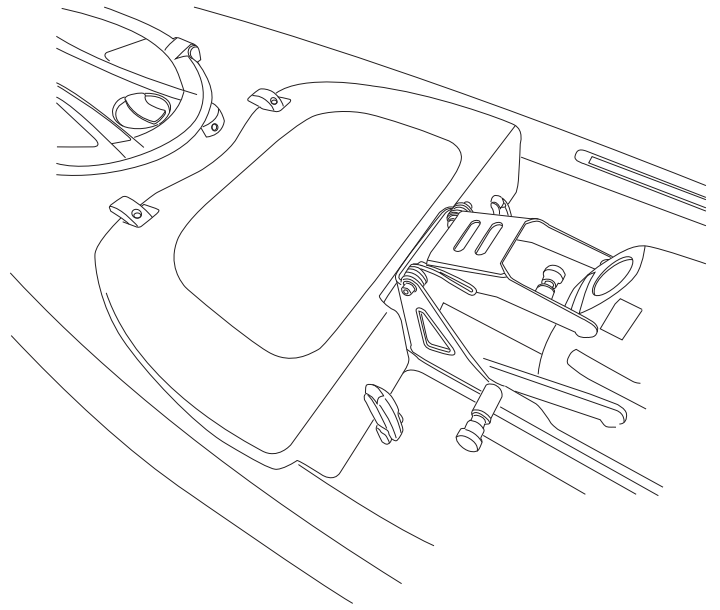


5



6

Finished Installtion



7

Battery lead in rear, common to all models

